

CD CHANGER

DS-401TE

SERVICE MANUAL

KENWOOD

© 2000-7 PRINTED IN JAPAN
B51-7648-00 (4) 1883

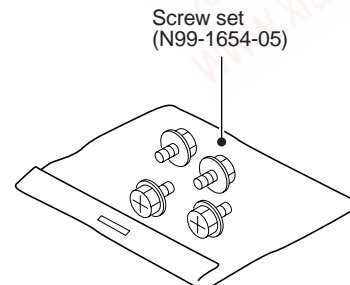
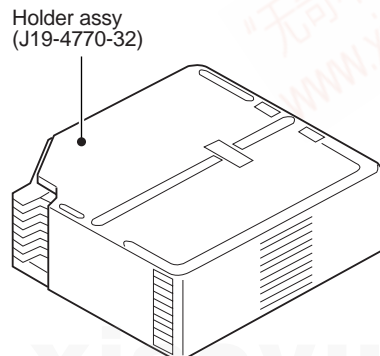
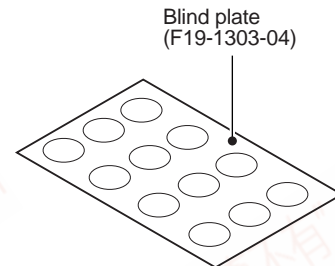
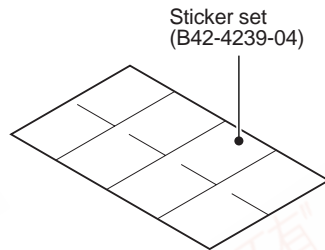
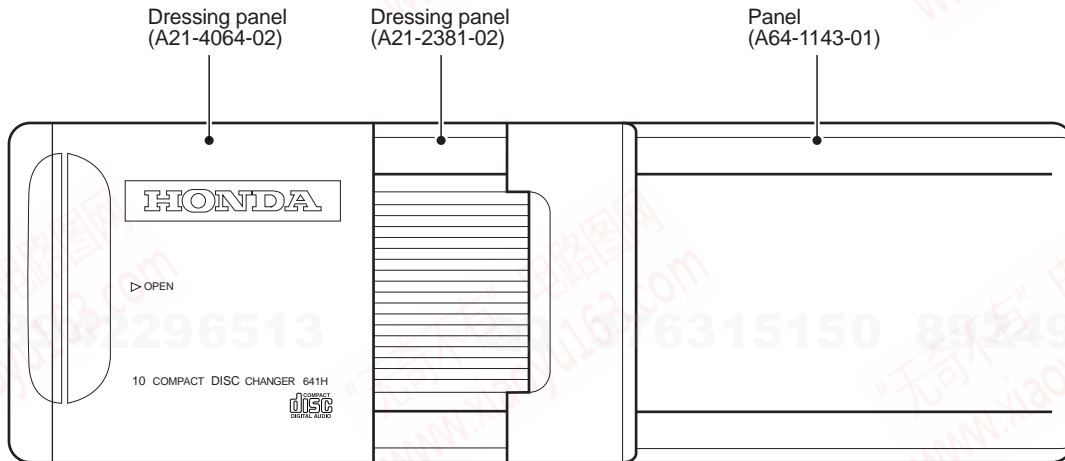
HONDA GENUINE

Genuin Part No. 08A26-4C6-100

Destination EU

	Parts No.
Extension DC cord for service	E30-4238-05
LPS initial position adjustment tool	W05-0635-00

Refer to the service manual "KDC-C710" (B51-7104-00) when needing to refer to "Mechanism Assy Disassembly Procedure" and "CD Changer Mechanism Operation Description."

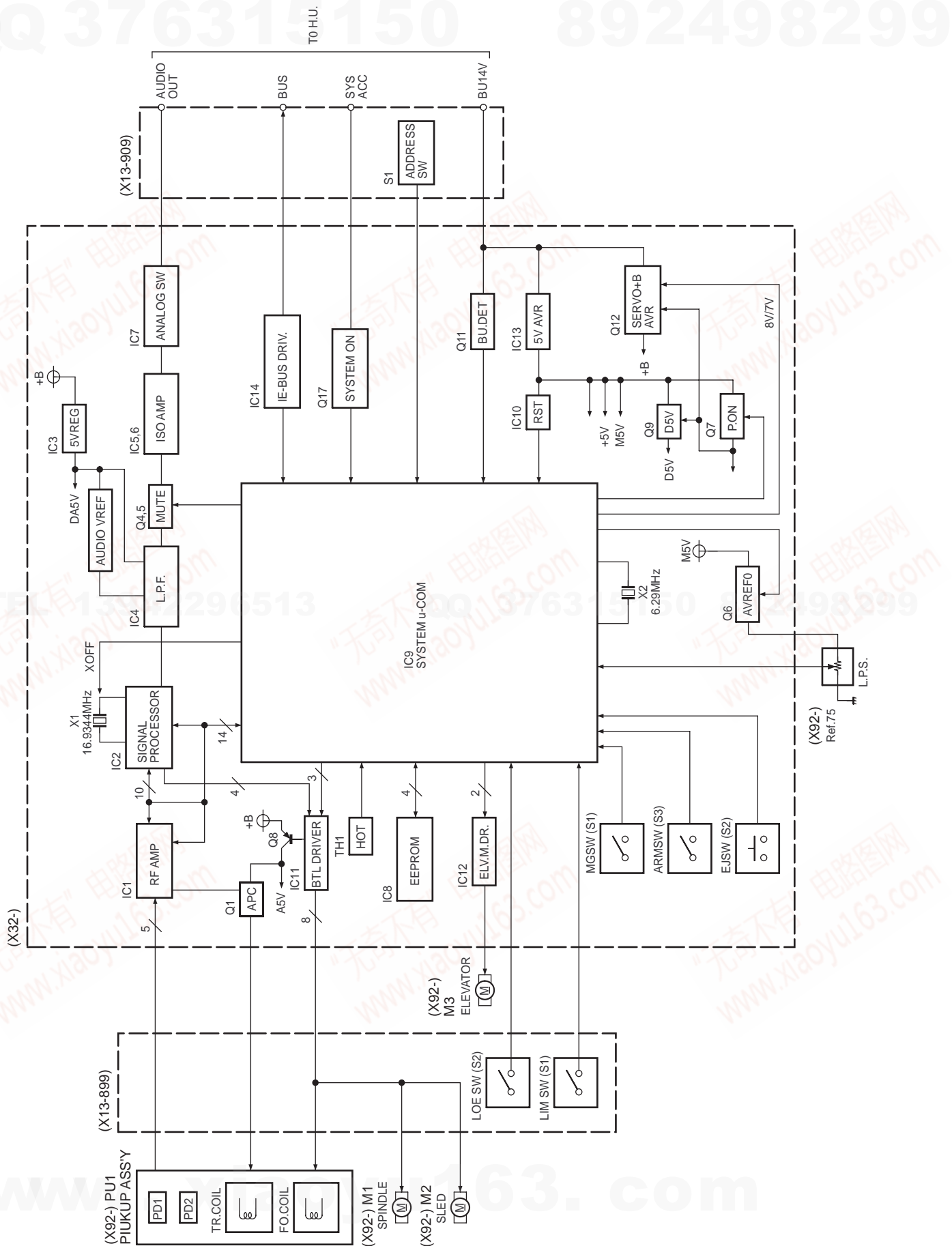


www.xiaoyu163.com



DS-401TE

BLOCK DIAGRAM



COMPONENTS DESCRIPTION

● CD PLAYER UNIT (X32-4380-00)

Ref. No.	Use and Function	Operation and Condition
IC1	RF amplifier,error amplifier	RF amplifier, focus tracking error amplifier, APC circuit, reference amplifier, mirror circuit, DEFECT circuit, RFOK circuit, EFM comparator, vibration detection circuit
IC2	Digital servo data processor	Digital servo data processing circuit, 8 fs oversampling filter, D/A converter, digital loop filter
IC3	3-terminal regulator	D/A converter, active filter 5V power supply
IC4	D/A converter output active filter	Differential amplifier
IC5	Isolation amplifier	Unbalanced/balance conversion - left channel
IC6	Isolation amplifier	Unbalanced/balance conversion - right channel
IC7	Analog switch	
IC8	Memory IC	CD deck initial UP/DOWN position
IC9	System microcomputer	
IC10	Reset IC	
IC11	Motor drive	Focus tracking actuator, thread motor, spindle motor drive
IC12	Motor drive	CD deck elevator motor drive
IC13	3-terminal regulator	Servo 5V power supply
IC14	IE-BUS driver/receiver	Communications between head units and the CD changer
Q1	Laser control	Laser current control through voltage output from IC1 LD terminal
Q2	Clock on/off	Clock off when "H" output from IC9 XOFF terminal
Q3	Audio mute driver	Mute on when "L" output from IC9 AMUTE
Q4, 5	Audio mute	Mute on when "L" output from IC9 AMUTE
Q6	LSP power switch	On when IC9 LPSCO is "L" during the power turned on and CD desk operating
Q7	P-ON switch	
Q8	Optical system 5V power supply	Supplied from AVR 8V to P.UP, IC1 and IC2 AVDD
Q9	Servo 5V drive	
Q10	Servo 5V switch	Turns on/off when power turned on
Q11	BU power supply detection switch	
Q12, 13	AVR 8V drive	
Q14	AVR 8V/7V selector switch	7V when "H" (normal play mode), 8V when "L" (mechanism operation Lo-Ej, ELV)
Q15, 16	AVR 8V switch	Turns on/off when power turned on
Q17	SYS ON switch	Conducts slave operation upon receiving SYS ACC from head unit
Q20, 21	Fo/Tr hold when scratches detected	Focus error, tracking error upon scratch detection
Q22	Scratch detection switch	Reference hold of signal

CIRCUIT DESCRIPTION

(X32-) IC9 : SYSTEM μ -COM

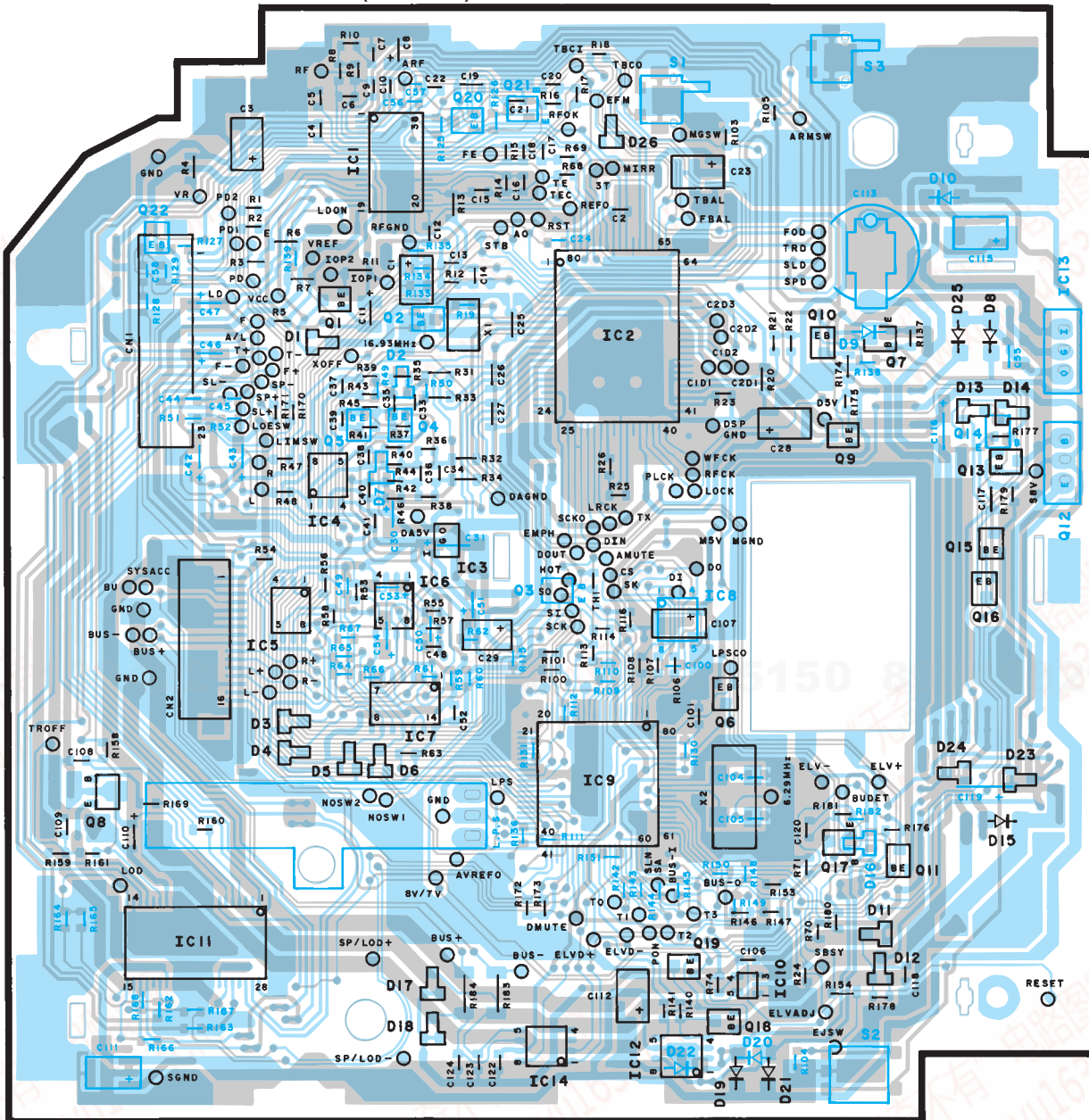
No.	Pin name	I/O	Description
1	DI	I	EEPROM data input
2	DO	O	EEPROM data output
3	CLK	O	EEPROM clock output
4	AVss	-	Analog GND
5	CS	O	EEPROM chip select
6	NC	O	Not used
7	AVref1	I	DAC reference voltage input
8	SDI	I	Servo IC communications serial data input
9	SDO	O	Servo IC communications serial data output
10	SCK	O	Servo IC communications serial clock output
11	TSTB	O	Test jig strobe output
12	TCLK	O	Test jig clock output
13	TDATA	O	Test jig data output
14	NC	O	Not used
15	AMUTE	O	Analog mute
16	NC	O	Not used
17,18	NO_SW1,2	I	CD-CH identification switch
19-26	NC	O	Not used
27	ARMSW	I	Arm switch input
28	8V/7V	O	8V/7V switching
29	ADJSEL	I	Auto adjust yes/no terminal
30	XOFF	O	Servo IC oscillation stop control
31	NC	O	Not used
32	STB	O	Servo IC communications strobe output
33	Vss	-	GND
34	AO	O	Servo IC communications address/parameter setting switching
35	RST	O	Servo IC communications reset
36	AUDIO	O	Analog switch
37	LOCK	I	PLL lock identification signal input
38	RFOK	I	RF OK input
39	TBCI	I	Tracking/filter constant bank switching data input
40	TBCO	O	Tracking/filter constant bank switching data output
41	LAON	O	Laser on

No.	Pin name	I/O	Description
42	LIMSW	I	Limit switch input
43	NC	O	Not used
44	LDESW	I	Loading completed switch input
45	SP/LO+	O	Spindle/loading motor output (+)
46	SP/LO-	O	Spindle/loading motor output (-)
47	DMUTE	O	Driver mute
48	ELV+	O	Elevator motor (+)
49	ELV-	O	Elevator motor (-)
50	NC	O	Not used
51	PON	O	PON output
52-55	TYPE0-3	I	Test mode selector switch input 0-3
56	BUS_OUT	O	Bus data output
57	BUS_IN	I	Bus data input
58	SLNSA	I	Thread blind sector yes/no control
59	ELVADJ	I	Auto elevating position adjustment motor
60	RESET	I	Reset
61	SBSY	I	Sub code Q reading timing detection
62	MGSW	I	Magazine switch
63	EJSW	I	Eject switch
64	NC	O	Not used
65	SYSON	O	IE-Bus power on (when Acc on)
66	SYS_ACC	I	Standby control input
67	BU_DET	I	BU power supply detection
68	Vdd	-	Positive power supply voltage connection
69,70	X2, X1	-	Oscillator 2, 1
71	IC	-	Internal connection
72	NC	-	Not used
73	NC	I	Not used
74	AVdd	-	Analog power supply
75	AVrefo	I	Analog reference voltage input
76	NC	O	Not used
77	HOT	I	Temperature rise detection
78	LPS	I	Linear positioning sensor input
79	NC	O	Not used
80	LPSCO	O	Linear positioning sensor power supply control

PC BOARD (Component side view)

CD PLAYER UNIT (X32-4380-00)

X32-4380-00 (J74-0668-21)



(X32-4380-00)

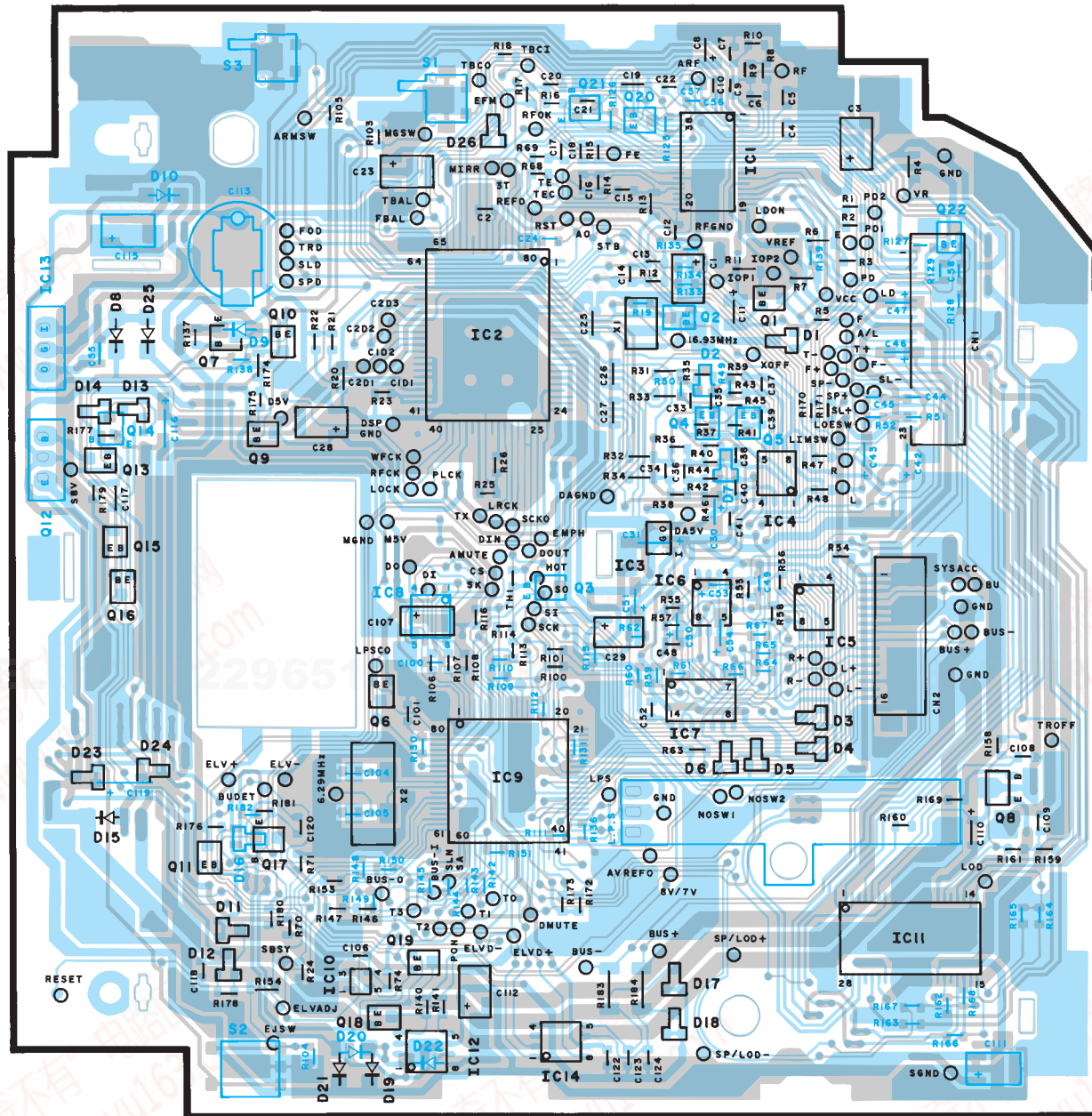
Ref. No.	IC1	IC2	IC3	IC4	IC5	IC6	IC7	IC8	IC9	IC10	IC11	IC12	IC13	IC14
Address	2B	3C	4C	3B	4B	4B	4B	4D	4C	5D	5B	5C	3E	5C
Ref. No.	Q1	Q2	Q3	Q4	Q5	Q6	Q7	Q8	Q9	Q10	Q11	Q12	Q13	Q14
Address	3B	3B	4C	3B	3B	4D	3D	5A	3D	3D	5D	3E	3E	3E
Ref. No.	Q15	Q16	Q17	Q18	Q19	Q20	Q21	Q22						
Address	3D	4E	5D	5D	5C	2C	2C	2A						

Refer to the schematic diagram for the values of resistors and capacitors.

PC BOARD (Foil side view)

CD PLAYER UNIT (X32-4380-00)

X32-4380-00 (J74-0668-21)



(X32-4380-00)

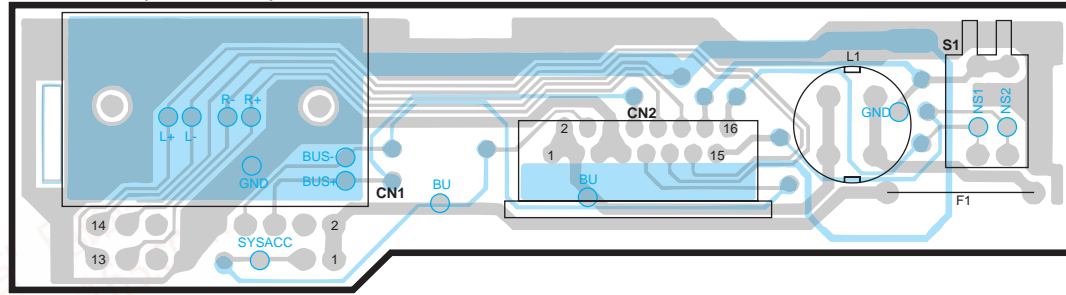
Ref. No.	IC1	IC2	IC3	IC4	IC5	IC6	IC7	IC8	IC9	IC10	IC11	IC12	IC13	IC14
Address	2I	3H	4I	3I	4I	4I	4I	4H	4H	5G	5J	5H	3F	5H
Ref. No.	Q1	Q2	Q3	Q4	Q5	Q6	Q7	Q8	Q9	Q10	Q11	Q12	Q13	Q14
Address	3I	3I	4H	3I	3I	4H	3G	5J	3G	3G	5G	3F	3G	3G
Ref. No.	Q15	Q16	Q17	Q18	Q19	Q20	Q21	Q22						
Address	3G	4G	5G	5H	5H	2I	2H	2J						

Refer to the schematic diagram for the values of resistors and capacitors.

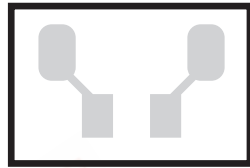
PC BOARD (Component side view)

SUB-CIRCUIT UNIT (X13-9090-00)

X13-9090-00 (J74-0667-12)

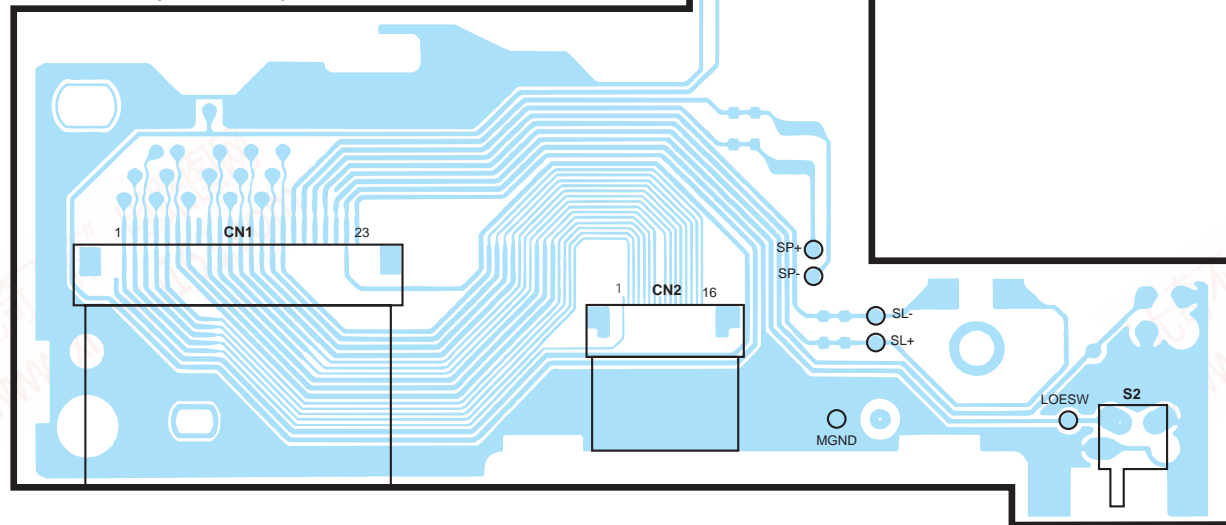


X92-3260-00 (J74-0626-02)



SUB-CIRCUIT UNIT (X13-8990-00)

X13-8990-00 (J74-0618-11)

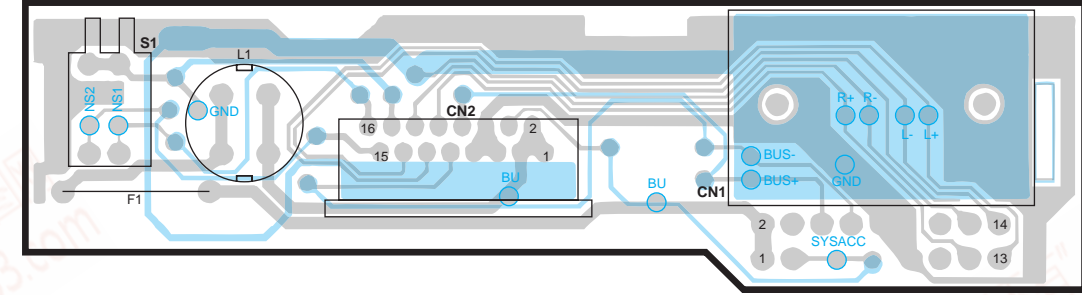


Refer to the schematic diagram for the values of resistors and capacitors.

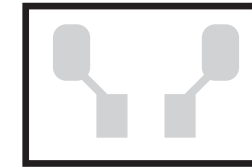
PC BOARD (Foil side view)

SUB-CIRCUIT UNIT (X13-9090-00)

X13-9090-00 (J74-0667-12)

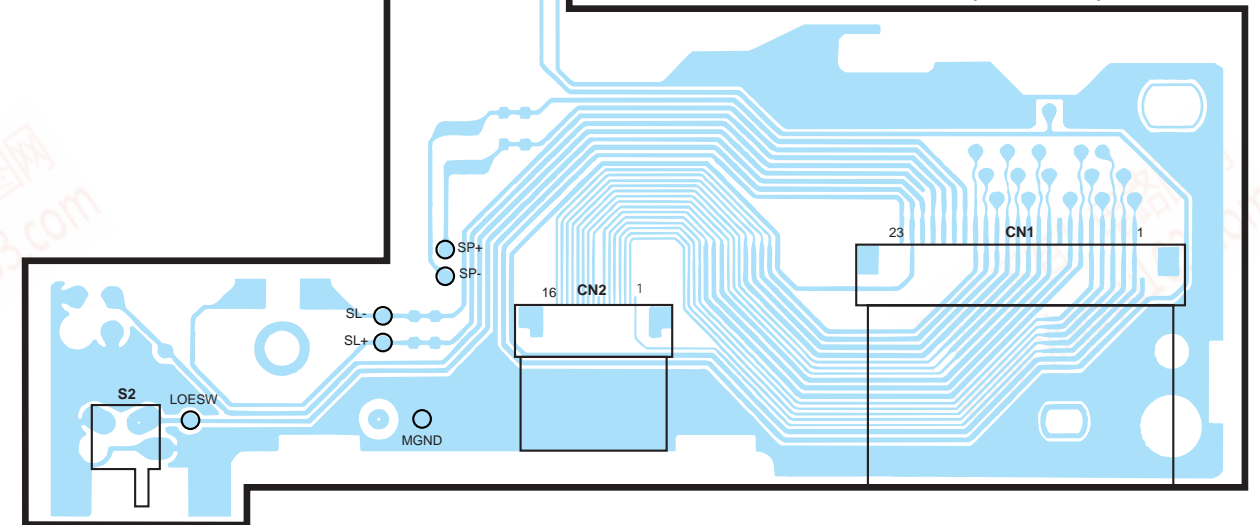


X92-3260-00 (J74-0626-02)

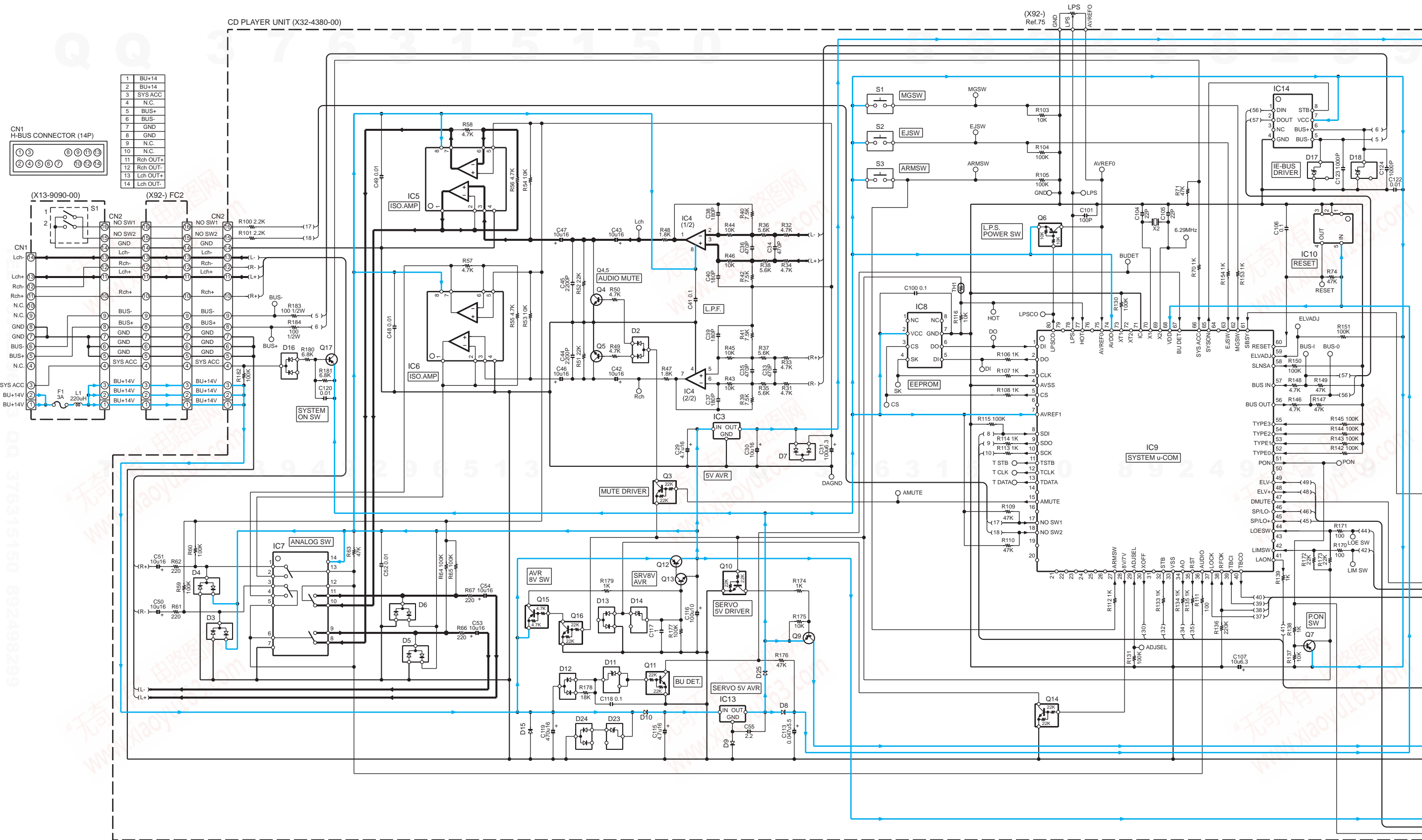


SUB-CIRCUIT UNIT (X13-8990-00)

X13-8990-00 (J74-0618-11)

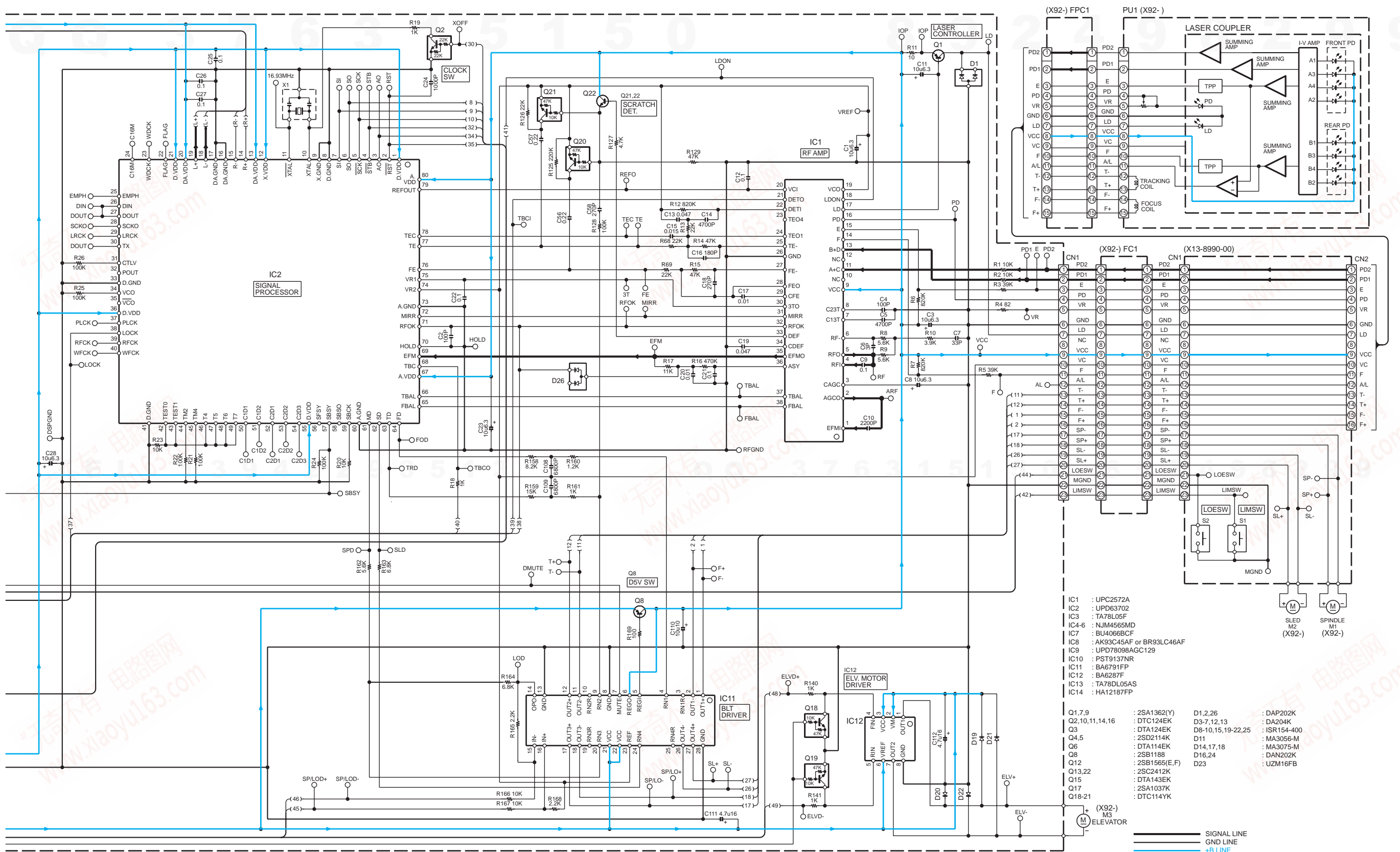


Refer to the schematic diagram for the values of resistors and capacitors.

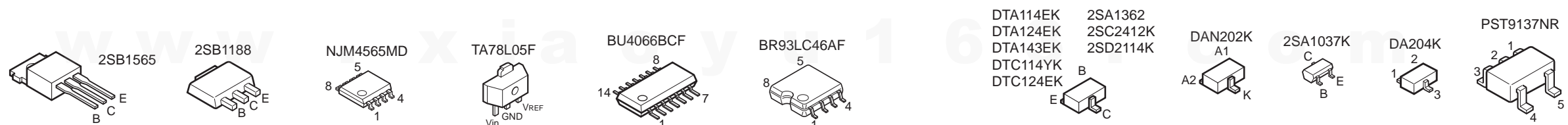


CAUTION: For continued safety, replace safety critical components only with manufacturer's recommended parts (refer to parts list). Δ Indicates safety critical components. To reduce the risk of electric shock, leakage-current or resistance measurements shall be carried out (exposed parts are acceptably insulated from the supply circuit) before the appliance is returned to the customer.

•DC voltages are as measured with a high impedance voltmeter. Values may vary slightly due to variations between individual instruments or/and units.



- IC1 : UPC2572A
 IC2 : UPD63702
 IC3 : TA78L05F
 IC4-6 : NJM4565MD
 IC7 : BU4066BCF
 IC8 : AK93C45AF or BR93LC46AF
 IC9 : UPD78098AGC129
 IC10 : PST9137NR
 IC11 : BA6791FP
 IC12 : BA6287F
 IC13 : TA78DL05AS
 IC14 : HA12187FP
- Q1,7,9 : 2SA1362(Y)
 Q2,10,11,14,16 : DTC124EK
 Q3 : DTA124EK
 Q4,5 : 2SD2114K
 Q6 : DTA114EK
 Q8 : 2SB1188
 Q12 : 2SB1565(E,F)
 Q13,22 : 2SC2412K
 Q15 : DTA143EK
 Q17 : 2SA1037K
 Q18-21 : DTC114YK
- D1,2,26 : DAP202K
 D3-7,12,13 : DA204K
 D8-10,15,19-22,25 : ISR154-400
 D11 : MA3056-M
 D14,17,18 : MA3075-M
 D16,24 : DAN202K
 D23 : UZM16FB
- SLED M2 (X92-)
 SPINDLE M1 (X92-)

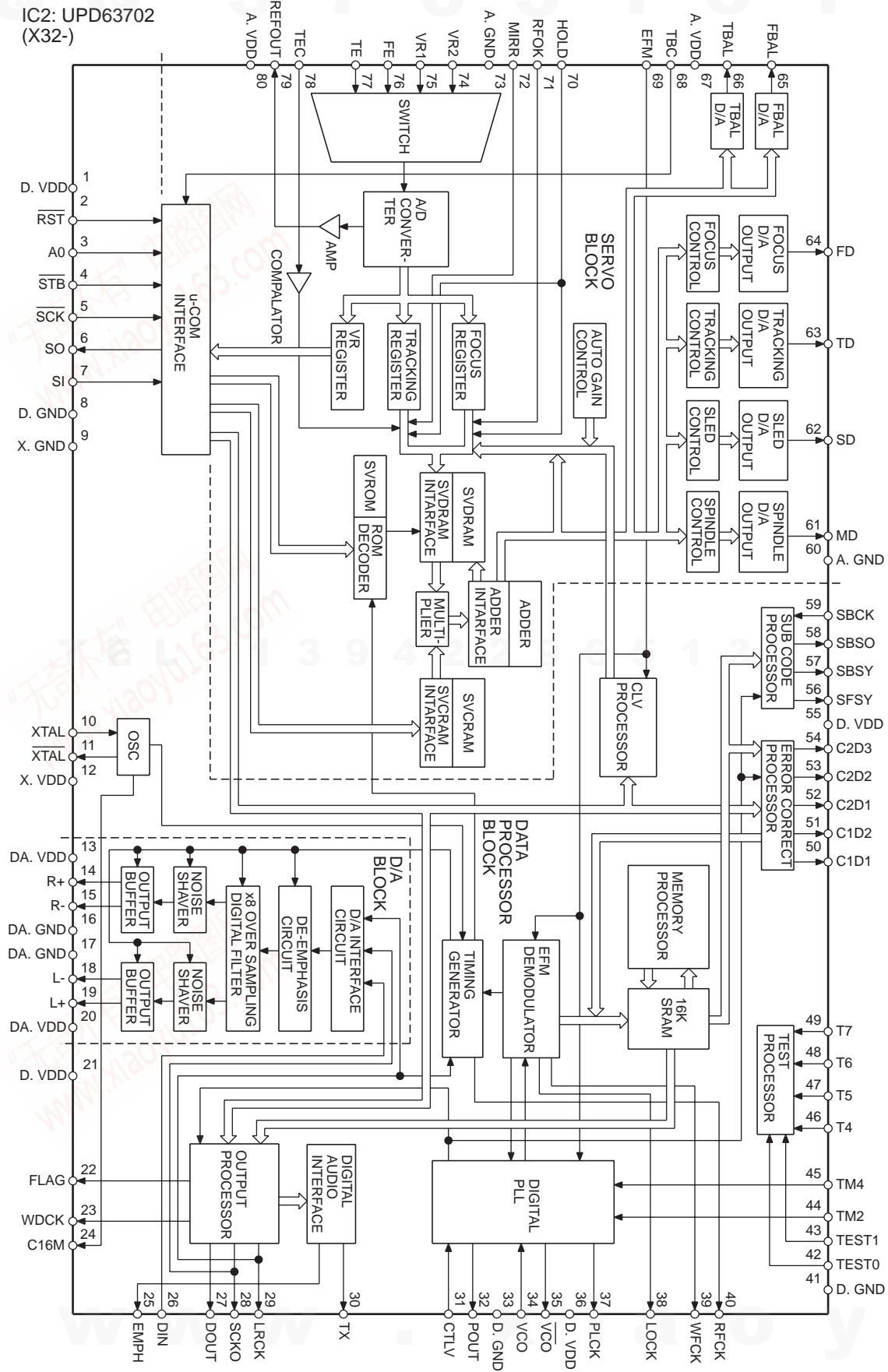


DS-401TE
KENWOOD

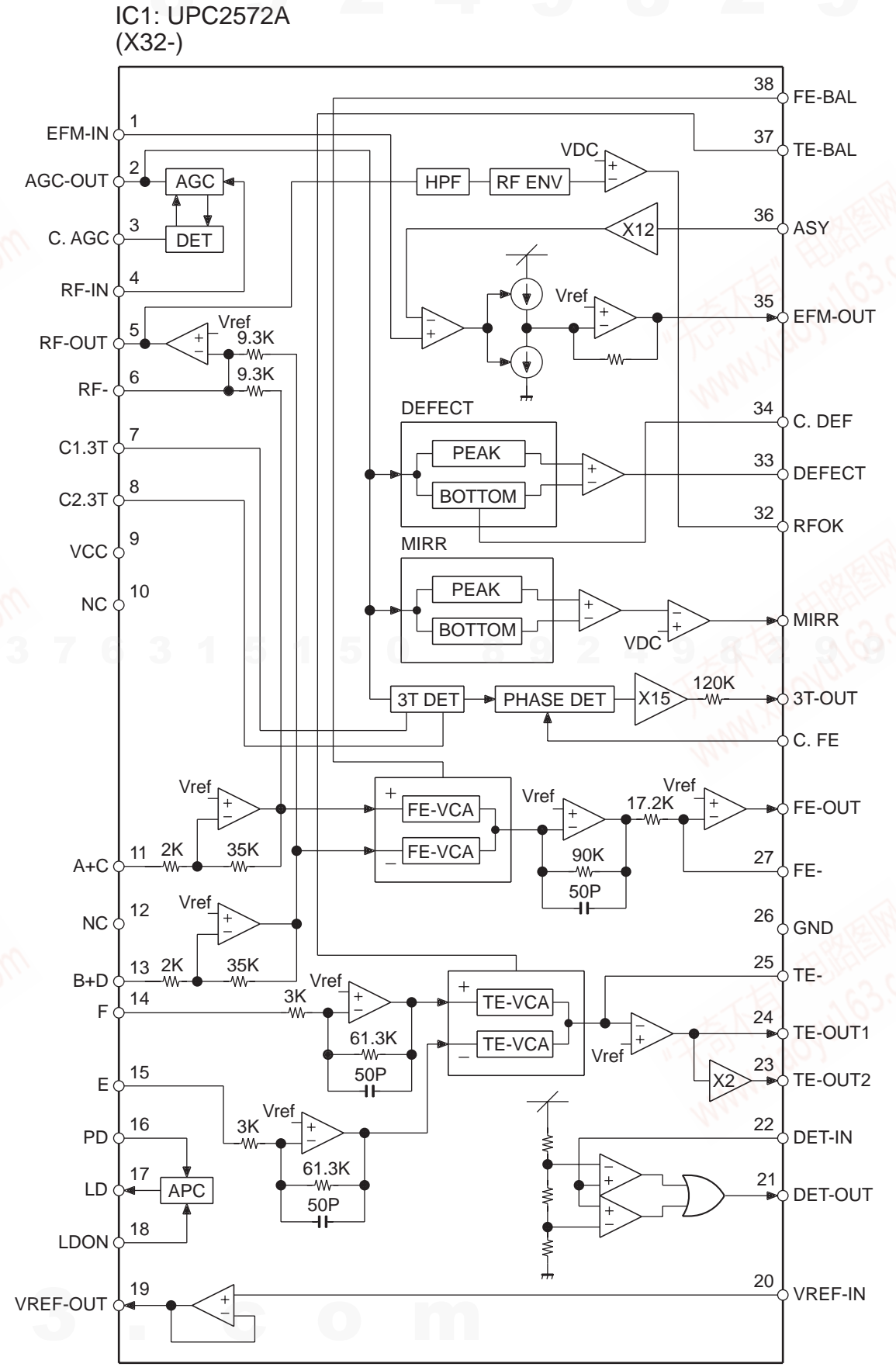
TEL: 13942296513 QQ: 376315150 892498299

DS-401TE DS-401TE

IC INTERNAL SCHEMATIC

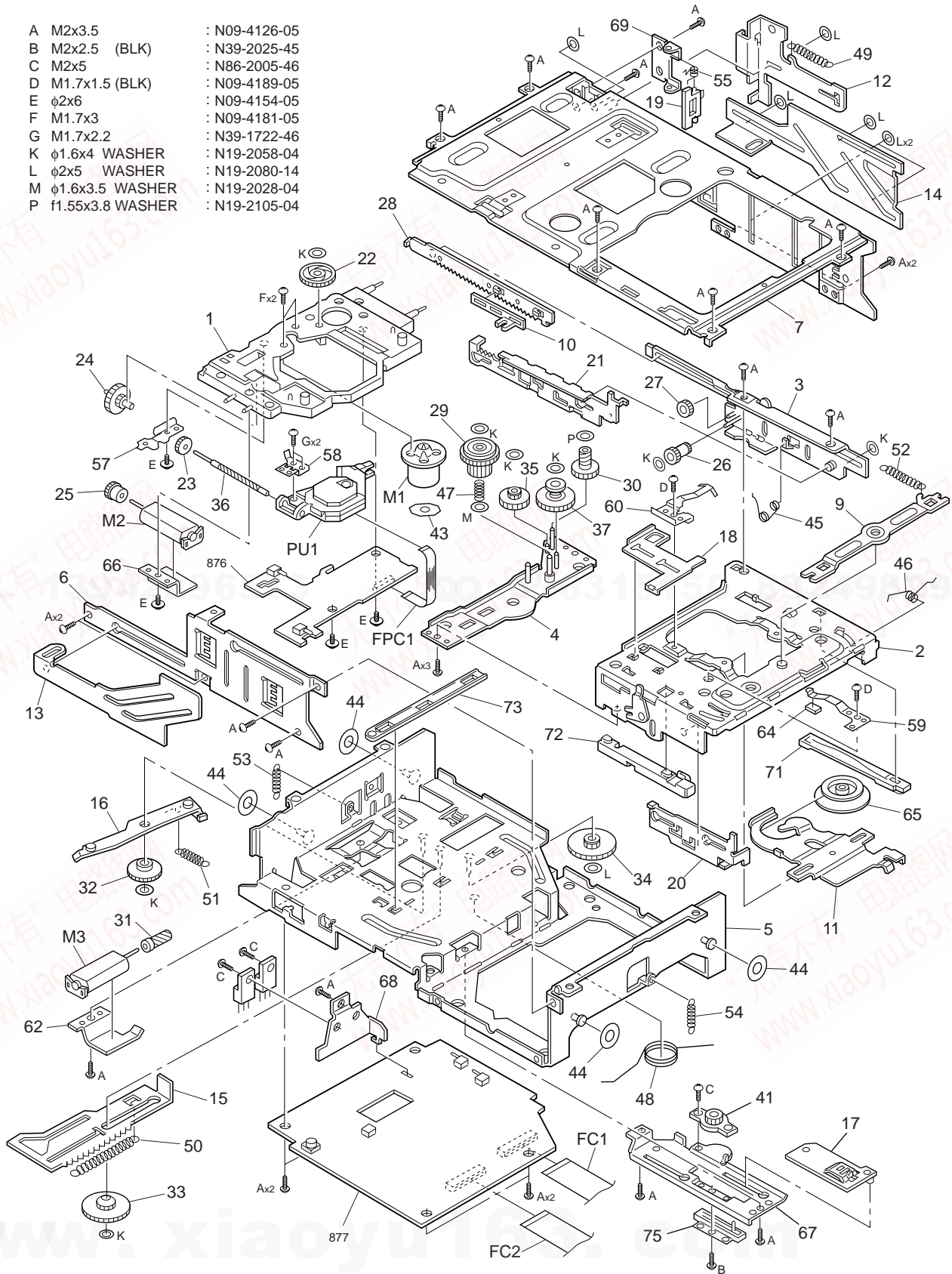


IC INTERNAL SCHEMATIC



EXPLODED VIEW (MECHANISM)

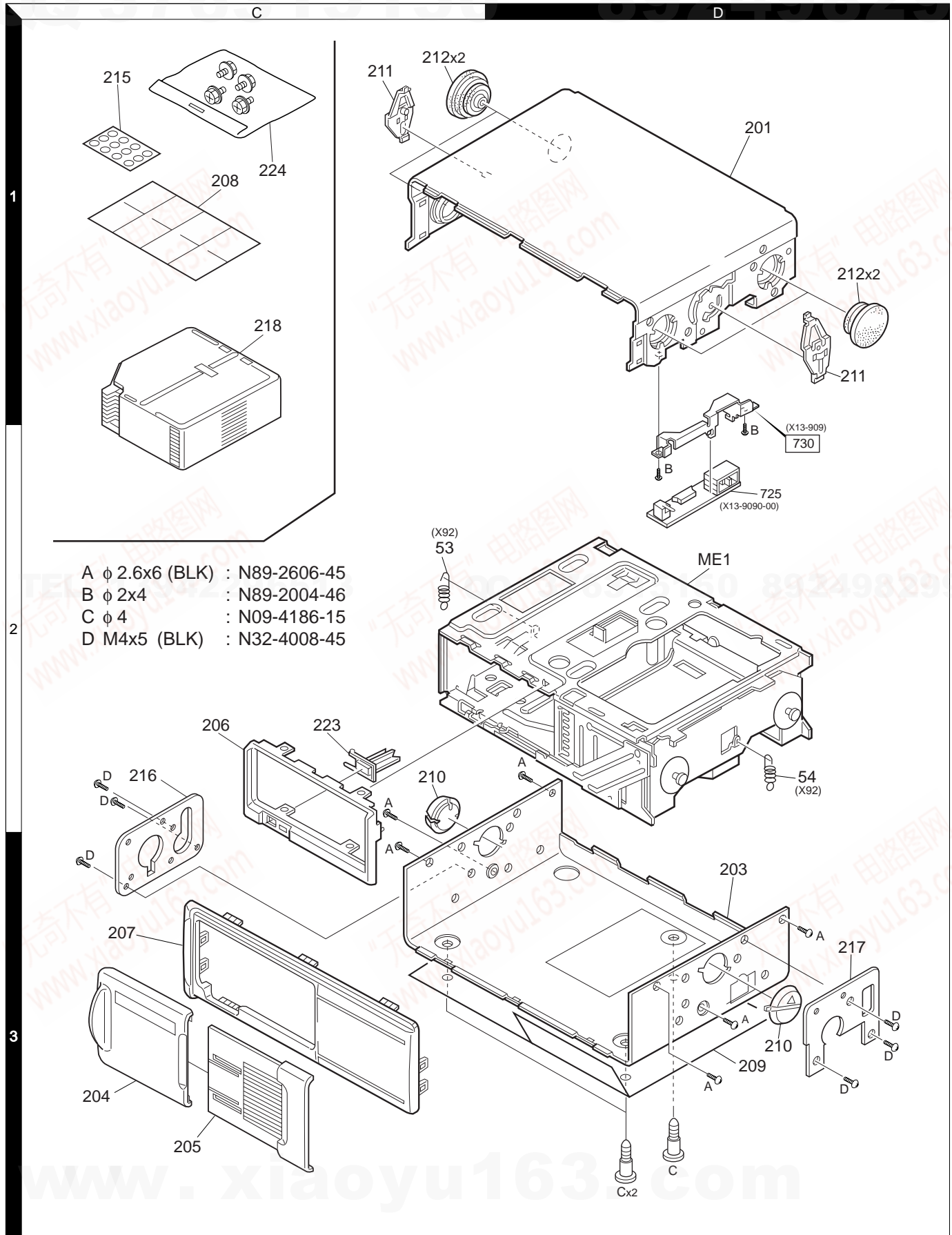
- | | | | |
|---|------------------|---|-------------|
| A | M2x3.5 | : | N09-4126-05 |
| B | M2x2.5 (BLK) | : | N39-2025-45 |
| C | M2x5 | : | N86-2005-46 |
| D | M1.7x1.5 (BLK) | : | N09-4189-05 |
| E | φ2x6 | : | N09-4154-05 |
| F | M1.7x3 | : | N09-4181-05 |
| G | M1.7x2.2 | : | N39-1722-46 |
| K | φ1.6x4 WASHER | : | N19-2058-04 |
| L | φ2x5 WASHER | : | N19-2080-14 |
| M | φ1.6x3.5 WASHER | : | N19-2028-04 |
| P | f1.55x3.8 WASHER | : | N19-2105-04 |



Parts with the exploded numbers larger than 700 are not supplied.

DS-401TE

EXPLODED VIEW (UNIT)



PARTS LIST

* New Parts

Parts without **Parts No.** are not supplied.

Les articles non mentionnés dans le **Parts No.** ne sont pas fournis.

Teile ohne **Parts No.** werden nicht geliefert.

(X32-4380-00)

Ref. No.	A d d	N e w	Parts No.	Description	Des- tina- tion
DS-401TE					
201	1D		A01-2639-01	METALLIC CABINET	
203	3D		A10-4339-03	CHASSIS ASSY	
204	3C	*	A21-4064-02	DRESSING PANEL (L)	
205	3C		A21-2381-02	DRESSING PANEL (R)	
206	2C		A22-1285-22	SUB PANEL	
207	3C		A64-1143-01	PANEL	
208	1C		B42-4239-04	STICKER SET (for DISC MAGAZINE)	
209	3D		B58-1253-24	CAUTION CARD	
-		*	B64-1739-00	INSTRUCTION MANUAL (ENGLISH)	
210	3D		D10-4031-33	ARM	
211	1C		D10-4033-14	LEVER	
212	1D		D39-0226-03	DAMPER	
215	1C		F19-1303-04	BLIND PLATE	
-			H02-0816-03	INNER CARTON CASE	
-			H10-4553-12	POLYSTYRENE FOAMED FIXTURE	
-			H25-0337-04	PROTECTION BAG (180X300X0.03)	
-			H25-1115-04	PROTECTION BAG	
-		*	H54-1819-04	ITEM CARTON CASE	
216	2C		J19-4756-03	BRACKET (L)	
217	3D		J19-4757-03	BRACKET (R)	
218	1C	*	J19-4770-32	HOLDER ASSY (DISC MAGAZINE)	
223	2C		K24-1770-04	KNOB (EJECT)	
224	1C		N99-1654-05	SCREW SET	
A	3D		N89-2606-45	BINDING HEAD TAPTITE SCREW	
B	2D		N89-2004-46	BINDING HEAD TAPTITE SCREW	
C	3D		N09-4186-15	STEPPED SCREW (to transport)	
D	2C		N32-4008-45	FLAT HEAD MACHIN SCREW	
ME1	2D		X92-3260-00	MECHANISM ASSY	
SUB-CIRCUIT UNIT (X13-8990-00)					
CN1			E40-9487-05	FLAT CABLE CONNECTOR	
CN2			E40-9536-05	FLAT CABLE CONNECTOR	
S1 ,2			S74-0811-05	MICRO SWITCH	
SUB-CIRCUIT UNIT (X13-9090-00)					
CN1			E58-0840-05	RECTANGULAR RECEPTACLE	
CN2			E40-9555-05	FLAT CABLE CONNECTOR	
F1			F53-0133-05	FUSE (3A)	
L1			L33-1020-05	CHOKE COIL (220UF)	
S1			S79-0804-05	DIP SWITCHES	
CD PLAYER UNIT (X32-4380-00)					
C1			C92-1336-05	ELECTRO 10UF 6.3WV	
C2			CC73FCH1H101J	CHIP C 100PF J	
C3			C92-1336-05	ELECTRO 10UF 6.3WV	
C4			CC73FCH1H101J	CHIP C 100PF J	
C5			CK73FB1H472K	CHIP C 4700PF K	
C6			CC73FCH1H030C	CHIP C 3.0PF C	
C7			CC73FCH1H330J	CHIP C 33PF J	

Ref. No.	A d d	N e w	Parts No.	Description	Des- tina- tion
C8			C92-0509-05	CHIP-TAN 10UF 6.3WV	
C9			CK73FB1C104K	CHIP C 0.10UF K	
C10			CK73FB1H222K	CHIP C 2200PF K	
C11			C92-0509-05	CHIP-TAN 10UF 6.3WV	
C12			CK73FB1C104K	CHIP C 0.10UF K	
C13			CK73FB1H473KTA	CHIP C 0.047UF K	
C14			CK73FB1H472K	CHIP C 4700PF K	
C15			CK73FB1H153KTA	CHIP C 0.015UF K	
C16			CC73FCH1H181J	CHIP C 180PF J	
C17			CK73FB1H103K	CHIP C 0.010UF K	
C18			CK73FB1H271K	CHIP C 270PF K	
C19			CK73EB1E473K	CHIP C 0.047UF K	
C20			CK73FB1H103K	CHIP C 0.010UF K	
C21 ,22			CK73FB1C104K	CHIP C 0.10UF K	
C23			C92-1336-05	ELECTRO 10UF 6.3WV	
C24			CK73FB1H102K	CHIP C 1000PF K	
C25 -27			CK73EB1E104K	CHIP C 0.10UF K	
C28			C92-1336-05	ELECTRO 10UF 6.3WV	
C29			C92-1335-05	ELECTRO 4.7UF 16WV	
C30			C92-1393-05	ELECTRO 10UF 16WV	
C31			C92-1390-05	ELECTRO 100UF 6.3WV	
C33 -36			CK73FB1H471K	CHIP C 470PF K	
C37 -40			CC73FCH1H181J	CHIP C 180PF J	
C41			CK73FB1C104K	CHIP C 0.10UF K	
C42 ,43			C92-1393-05	ELECTRO 10UF 16WV	
C44 ,45			CK73FB1H222K	CHIP C 2200PF K	
C46 ,47			C92-1393-05	ELECTRO 10UF 16WV	
C48 ,49			CK73FB1H103K	CHIP C 0.010UF K	
C50 ,51			C92-1393-05	ELECTRO 10UF 16WV	
C52			CK73FB1H103K	CHIP C 0.010UF K	
C53 ,54			C92-1393-05	ELECTRO 10UF 16WV	
C55			CK73EB1C225K	CHIP C 2.2UF K	
C56 ,57			CK73FB1C224K	CHIP C 0.22UF K	
C58			CC73FCH1H271J	CHIP C 270PF J	
C100			CK73FB1C104K	CHIP C 0.10UF K	
C101			CC73FCH1H101J	CHIP C 100PF J	
C104,105			CC73FCH1H220J	CHIP C 22PF J	
C106			CK73FB1C104K	CHIP C 0.10UF K	
C107			C92-1336-05	ELECTRO 10UF 6.3WV	
C108,109			CK73FB1H682K	CHIP C 6800PF K	
C110			C92-0628-05	CHIP-TAN 10UF 10WV	
C111,112			C92-1335-05	ELECTRO 4.7UF 16WV	
C113			C90-1827-05	ELECTRO 0.047F 5.5WV	
C115			C92-1335-05	ELECTRO 4.7UF 16WV	
C116			C92-1392-05	ELECTRO 100UF 10WV	
C117			CK73EB1C105K	CHIP C 1.0UF K	
C118			CK73FB1C104K	CHIP C 0.10UF K	
C119			C92-1388-05	ELECTRO 470UF 16WV	
C120			CK73FB1H103K	CHIP C 0.010UF K	
C122			CK73FB1H103K	CHIP C 0.010UF K	
C123,124			CK73FB1H102K	CHIP C 1000PF K	
CN1			E40-9338-05	FLAT CABLE CONNECTOR (23P)	
CN2			E40-9404-05	FLAT CABLE CONNECTOR (16P)	
X1			L78-0620-05	RESONATOR (16.93MHZ)	

△ indicates safety critical components.

PARTS LIST

* New Parts

Parts without **Parts No.** are not supplied.

Les articles non mentionnés dans le **Parts No.** ne sont pas fournis.

Teile ohne **Parts No.** werden nicht geliefert.

(X32-4380-00)

Ref. No.	A d d	N e w	Parts No.	Description	Des- tina- tion
X2			L78-0562-05	RESONATOR (6.29MHZ)	
R1 ,2			RK73FB2A103J	CHIP R 10K J 1/10W	
R3			RK73FB2A393J	CHIP R 39K J 1/10W	
R4			RK73EB2B820J	CHIP R 82 J 1/8W	
R5			RK73FB2A393J	CHIP R 39K J 1/10W	
R6 ,7			RK73EB2B824J	CHIP R 820K J 1/8W	
R8 ,9			RK73FB2A562J	CHIP R 5.6K J 1/10W	
R10			RK73FB2A392J	CHIP R 3.9K J 1/10W	
R11			RK73EB2B100J	CHIP R 10 J 1/8W	
R12			RK73FB2A824J	CHIP R 820K J 1/10W	
R13			RK73EB2B223J	CHIP R 22K J 1/8W	
R14 ,15			RK73FB2A473J	CHIP R 47K J 1/10W	
R16			RK73FB2A474J	CHIP R 470K J 1/10W	
R17			RK73FB2A113J	CHIP R 11K J 1/10W	
R18 ,19			RK73FB2A102J	CHIP R 1.0K J 1/10W	
R20			RK73EB2B103J	CHIP R 10K J 1/8W	
R21 ,22			RK73FB2A104J	CHIP R 100K J 1/10W	
R23			RK73FB2A103J	CHIP R 10K J 1/10W	
R24 -26			RK73FB2A104J	CHIP R 100K J 1/10W	
R31 -34			RK73EB2B472J	CHIP R 4.7K J 1/8W	
R35 -38			RK73FB2A562J	CHIP R 5.6K J 1/10W	
R39 -42			RK73FB2A752J	CHIP R 7.5K J 1/10W	
R43 -46			RK73FB2A103J	CHIP R 10K J 1/10W	
R47 ,48			RK73FB2A182J	CHIP R 1.8K J 1/10W	
R49 ,50			RK73FB2A472J	CHIP R 4.7K J 1/10W	
R51 ,52			RK73FB2A223J	CHIP R 22K J 1/10W	
R53 ,54			RK73FB2A103J	CHIP R 10K J 1/10W	
R55 -58			RK73FB2A472J	CHIP R 4.7K J 1/10W	
R59 ,60			RK73FB2A104J	CHIP R 100K J 1/10W	
R61 ,62			RK73FB2A221J	CHIP R 220 J 1/10W	
R63			RK73FB2A473J	CHIP R 47K J 1/10W	
R64 ,65			RK73FB2A104J	CHIP R 100K J 1/10W	
R66 ,67			RK73FB2A221J	CHIP R 220 J 1/10W	
R68 ,69			RK73FB2A223J	CHIP R 22K J 1/10W	
R70			RK73FB2A102J	CHIP R 1.0K J 1/10W	
R71			RK73FB2A473J	CHIP R 47K J 1/10W	
R74			RK73FB2A473J	CHIP R 47K J 1/10W	
R100,101			RK73FB2A222J	CHIP R 2.2K J 1/10W	
R103-105			RK73FB2A104J	CHIP R 100K J 1/10W	
R106-108			RK73FB2A102J	CHIP R 1.0K J 1/10W	
R109,110			RK73FB2A473J	CHIP R 47K J 1/10W	
R111			RK73FB2A101J	CHIP R 100 J 1/10W	
R112-114			RK73FB2A102J	CHIP R 1.0K J 1/10W	
R115			RK73FB2A104J	CHIP R 100K J 1/10W	
R116			RK73FB2A103J	CHIP R 10K J 1/10W	
R125			RK73FB2A224J	CHIP R 220K J 1/10W	
R126			RK73FB2A223J	CHIP R 22K J 1/10W	
R127			RK73FB2A472J	CHIP R 4.7K J 1/10W	
R128			RK73FB2A104J	CHIP R 100K J 1/10W	
R129			RK73FB2A473J	CHIP R 47K J 1/10W	
R130,131			RK73FB2A104J	CHIP R 100K J 1/10W	
R133-135			RK73FB2A102J	CHIP R 1.0K J 1/10W	
R136			RK73FB2A224J	CHIP R 220K J 1/10W	
R137			RK73FB2A103J	CHIP R 10K J 1/10W	
R138-141			RK73FB2A102J	CHIP R 1.0K J 1/10W	

Ref. No.	A d d	N e w	Parts No.	Description	Des- tina- tion
R142-145			RK73FB2A104J	CHIP R 100K J 1/10W	
R146			RK73FB2A472J	CHIP R 4.7K J 1/10W	
R147			RK73FB2A473J	CHIP R 47K J 1/10W	
R148			RK73FB2A472J	CHIP R 4.7K J 1/10W	
R149			RK73FB2A473J	CHIP R 47K J 1/10W	
R150,151			RK73FB2A104J	CHIP R 100K J 1/10W	
R153			RK73FB2A102J	CHIP R 1.0K J 1/10W	
R154			RK73EB2B102J	CHIP R 1.0K J 1/8W	
R158			RK73FB2A822J	CHIP R 8.2K J 1/10W	
R159			RK73FB2A153J	CHIP R 15K J 1/10W	
R160			RK73FB2A122J	CHIP R 1.2K J 1/10W	
R161			RK73FB2A102J	CHIP R 1.0K J 1/10W	
R162			RK73FB2A562J	CHIP R 5.6K J 1/10W	
R163,164			RK73FB2A682J	CHIP R 6.8K J 1/10W	
R165			RK73FB2A222J	CHIP R 2.2K J 1/10W	
R166,167			RK73FB2A103J	CHIP R 10K J 1/10W	
R168			RK73FB2A222J	CHIP R 2.2K J 1/10W	
R169-171			RK73FB2A101J	CHIP R 100 J 1/10W	
R172,173			RK73FB2A223J	CHIP R 22K J 1/10W	
R174			RK73EB2B102J	CHIP R 1.0K J 1/8W	
R175			RK73FB2A103J	CHIP R 10K J 1/10W	
R176			RK73FB2A473J	CHIP R 47K J 1/10W	
R177			RK73FB2A104J	CHIP R 100K J 1/10W	
R178			RK73FB2A183J	CHIP R 18K J 1/10W	
R179			RK73FB2A102J	CHIP R 1.0K J 1/10W	
R180,181			RK73FB2A682J	CHIP R 6.8K J 1/10W	
R182			RK73FB2A104J	CHIP R 100K J 1/10W	
R183,184			R92-1213-05	CHIP R 100 J 1/2W	
S1			S68-0823-05	PUSH SWITCH	
S2			S70-0838-05	TACT SWITCH	
S3			S68-0823-05	PUSH SWITCH	
D1 ,2			DAP202K	DIODE	
D3 -7			DA204K	DIODE	
D8 -10			1SR154-400	DIODE	
D11			MA3056-M	ZENER DIODE	
D12 ,13			DA204K	DIODE	
D14			MA3075-M	ZENER DIODE	
D15			1SR154-400	DIODE	
D16			DAN202K	DIODE	
D17 ,18			MA3075-M	ZENER DIODE	
D19 -22			1SR154-400	DIODE	
D23			UZM16FB	ZENER DIODE	
D24			DAN202K	DIODE	
D25			1SR154-400	DIODE	
D26			DAP202K	DIODE	
IC1			UPC2572A	ANALOGUE IC	
IC2			UPD63702	MOS-IC	
IC3			TA78L05F	IC(VOLTAGE REGULATOR/+5V)	
IC4 -6			NJM4565MD	IC(OP AMP X2)	
IC7			BU4066BCF	MOS-IC	
IC8			AK93C45AF	MOS-IC	
IC8			BR93LC46AF	MOS-IC	
IC9			UPD78098AGC129	MI-COM IC	
IC10			PST9137NR	ANALOGUE IC	
IC11			BA6791FP	ANALOGUE IC	

PARTS LIST

* New Parts

Parts without **Parts No.** are not supplied.

Les articles non mentionnés dans le **Parts No.** ne sont pas fournis.

Teile ohne **Parts No.** werden nicht geliefert.

(X92-3260-00)

Ref. No.	Added	Parts No.	Description	Destination
IC12		BA6287F	ANALOGUE IC	
IC13		TA78DL05AS	IC	
IC14		HA12187FP	ANALOGUE IC	
Q1		2SA1362(Y)	TRANSISTOR	
Q2		DTC124EK	DIGITAL TRANSISTOR	
Q3		DTA124EK	DIGITAL TRANSISTOR	
Q4 ,5		2SD2114K	TRANSISTOR	
Q6		DTA114EK	DIGITAL TRANSISTOR	
Q7		2SA1362(Y)	TRANSISTOR	
Q8		2SB1188	TRANSISTOR	
Q9		2SA1362(Y)	TRANSISTOR	
Q10 ,11		DTC124EK	DIGITAL TRANSISTOR	
Q12		2SB1565(E,F)	TRANSISTOR	
Q13		2SC2412K	TRANSISTOR	
Q14		DTC124EK	DIGITAL TRANSISTOR	
Q15		DTA143EK	DIGITAL TRANSISTOR	
Q16		DTC124EK	DIGITAL TRANSISTOR	
Q17		2SA1037K	TRANSISTOR	
Q18 -21		DTC114YK	DIGITAL TRANS	
Q22		2SC2412K	TRANSISTOR	
TH1		NTH5G40B333K01	THERMISTOR	
MECHANISM ASSY (X92-3260-00)				
1	1A	A10-4229-43	CHASSIS ASSY	
2	2B	A10-4231-12	CHASSIS CALKING ASSY	
3	1B	A10-4233-43	CHASSIS CALKING ASSY	
4	2B	A10-4235-64	CHASSIS ASSY	
5	3B	A10-4237-32	CHASSIS CALKING ASSY	
6	2A	A10-4239-22	CHASSIS	
7	1B	A10-4240-62	CHASSIS CALKING ASSY	
9	2B	D10-4018-23	ARM	
10	1B	D10-4019-13	LEVER	
11	3B	D10-4020-23	LEVER	
12	1B	D10-4022-34	ARM	
13	2A	D10-4023-14	SLIDER ASSY	
14	1B	D10-4025-03	SLIDER	
15	3A	D10-4026-03	LEVER	
16	2A	D10-4027-04	LEVER ASSY	
17	3B	D10-4029-04	SLIDER ASSY	
18	2B	D10-4032-03	SLIDER	
19	1B	D10-4137-03	LEVER	
20	3B	D12-0618-13	CAM	
21	1B	D12-0619-23	CAM	
22	1A	D13-1251-14	GEAR	
23	2A	D13-1252-04	GEAR	
24	1A	D13-1253-04	GEAR	
25	2A	D13-1254-04	GEAR	
26	2B	D13-1255-14	GEAR	
27	1B	D13-1256-04	GEAR	
28	1A	D13-1257-04	GEAR ASSY	
29	1A	D13-1259-04	GEAR	
30	2B	D13-1262-34	GEAR	
31	3A	D13-1263-04	WORM	
32	3A	D13-1264-04	GEAR	
33	3A	D13-1265-04	GEAR	
34	3B	D13-1266-04	GEAR	

Ref. No.	Added	Parts No.	Description	Destination
35	2B	D13-1338-04	GEAR	
36	2A	D19-0614-24	LEAD SCREW	
37	2B	D19-0615-14	CLUTCH ASSY	
41	3B	D39-0225-05	DAMPER	
43	2A	F09-1220-04	SHEET	
44	3B	F09-1245-04	SHEET	
45	2B	G01-2778-04	TORSION COIL SPRING	
46	2B	G01-2779-04	TORSION COIL SPRING	
47	2A	G01-2781-04	COMPRESSION SPRING	
48	3B	G01-2782-14	TORSION COIL SPRING	
49	1B	G01-2783-14	EXTENSION SPRING	
50	3A	G01-2784-04	EXTENSION SPRING	
51	3A	G01-2785-04	EXTENSION SPRING	
52	2B	G01-2789-14	EXTENSION SPRING	
53	2A	G01-2808-04	EXTENSION SPRING	
54	3B	G01-2809-14	EXTENSION SPRING	
55	1B	G01-2814-04	TORSION COIL SPRING	
57	2A	G02-1235-14	FLAT SPRING	
58	2A	G02-1256-14	FLAT SPRING	
59	2B	G02-1237-13	FLAT SPRING	
60	2B	G02-1238-34	FLAT SPRING	
62	3A	G02-1240-04	FLAT SPRING	
64	2B	G10-1023-04	FELT	
65	2B	J11-0614-03	CLAMPER	
66	2A	J21-7695-04	MOUNTING HARDWARE	
67	3B	J21-7696-13	MOUNTING HARDWARE	
68	3A	J21-7698-04	MOUNTING HARDWARE	
69	1B	J21-7766-13	MOUNTING HARDWARE	
71	2B	J90-0758-13	GUIDE	
72	2B	J90-0759-03	GUIDE	
73	2B	J90-0760-03	RAIL	
75	3B	R33-0201-05	SLIDE VARIABLE RESISTOR (LPS)	
FC1	3B	E39-0172-15	FLAT CABLE (23P)	
FC2	3B	E39-0173-05	FLAT CABLE (16P)	
FPC1	2A	J84-0063-15	FLEXIBLE PRINTED WIRING BOARD	
A	1B	N09-4126-05	MACHINE SCREW (2X3.5)	
B	3B	N39-2025-45	PAN HEAD MACHIN SCREW	
C	3B	N86-2005-46	BINDING HEAD TAPTITE SCREW	
D	2B	N09-4189-05	TAPTITE SCREW (1.7X1.5)	
E	3A	N09-4154-05	TAPTITE SCREW	
F	1A	N09-4181-05	MACHINE SCREW (M1.7X3)	
G	1A	N39-1722-46	PAN HEAD MACHIN SCREW	
K	2B	N19-2058-04	FLAT WASHER	
L	1B	N19-2080-14	FLAT WASHER	
M	2A	N19-2028-04	FLAT WASHER	
P	2B	N19-2105-04	FLAT WASHER	
M1	2A	T42-0760-14	MOTOR ASSY (SPINDLE/LOADING)	
M2 ,3	3A	T42-0756-05	DC MOTOR (SLED, ELEVATOR)	
PU1	2A	T25-0209-05	OPTICAL PICKUP HEAD	

DS-401TE

SPECIFICATIONS

Disc Section

Laser Diode	GaAlAs ($\lambda=780\text{nm}$)
Digital Filter (D/A)	8Times Over Sampling
D/A Converter	1 bit
Spindle speed	500~200rpm (CLV)
Wow & Flutter	Below Measurable Limit
Frequency response ($\pm 1\text{dB}$)	5Hz~20kHz
Signal to Noise ratio	94dB
Dynamic range	94dB
Stereo separation	85dB

General

Operating Voltage	13.2V (11~16V)
Current consumption	0.8A
Operating Temperature	-10~50°C
Size (WxHxD)	255.4x80.6x180.4mm
Weight	2.0kg

Specifications subject to change without notice.

KENWOOD CORPORATION

14-6, Dogenzaka 1-chome, Shibuya-ku, Tokyo, 150-8501 Japan

KENWOOD SERVICE CORPORATION

P.O. Box 22745, 2201 East Dominguez Street,
Long Beach, CA90801-5745, U.S.A.

KENWOOD ELECTRONICS CANADA INC.

6070 Kestrel Road, Mississauga, Ontario, Canada L5T 1S8

KENWOOD ELECTRONICS LATIN AMERICA S.A.

P.O. Box 55-2791, Piso 6, Plaza Chase, Cl. 47 y,
Aquilino de la Guardia, Panama, Republic of Panama

KENWOOD ELECTRONICS BRASIL LTDA.

Av. Moema, 170-17°, Andar-Cobertura "B",
Ed. Maximum Service Center, 04077-020 Moema,
São Paulo-SP-Brasil

KENWOOD ELECTRONICS UK LIMITED

Kenwood House, Dwight Road, Watford,
Herts, WD1 8EB, United Kingdom

KENWOOD ELECTRONICS DEUTSCHLAND GMBH

Rembrücker-Str. 15, 63150 Heusenstamm, Germany

KENWOOD ELECTRONICS FRANCE S.A.

13, Boulevard Ney, 75018 Paris, France

KENWOOD ELECTRONICS BELGIUM N.V.

Mechelsesteenweg 418, B-1930 Zaventem, Belgium

KENWOOD ELECTRONICS ITALIA S.p.A.

Via G. Sirtori 7/9, 20129 Milano, Italy

KENWOOD IBÉRICA S.A.

Bolivia, 239-08020 Barcelona, Spain

KENWOOD ELECTRONICS AUSTRALIA PTY. LTD.

(A.C.N. 001 499 074)
16 Giffnock Avenue, North Ryde, N.S.W. 2113, Australia

KENWOOD ELECTRONICS (HONG KONG) LTD.

Unit 3712-3724, Level 37, Tower 1, Metroplaza,
223 Hing Fong Road, Kwai Fong, N.T., Hong Kong

KENWOOD ELECTRONICS GULF FZE

P.O. Box 61318, Jebel Ali, Dubai, U.A.E.

KENWOOD ELECTRONICS (THAILAND) CO., LTD.

2019 New Pechburi Road, Bangkapi, Huaykwang,
Bangkok, 10320 Thailand

KENWOOD ELECTRONICS SINGAPORE PTE. LTD.

1 Genting Lane, #07-00, Kenwood Building, Singapore 349544

KENWOOD ELECTRONICS (MALAYSIA) SDN BHD

#4.01 Level 4, Wisma Academy, Lot 4A, Jalan 19/1,
46300 Petaling Jaya, Selangor Darul Ehsan, Malaysia